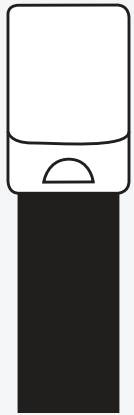
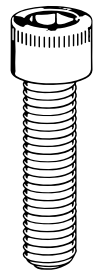


Hand Sanitizer Mounting Kit Instructions

Dispenser
Not
Included

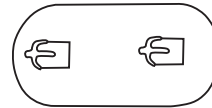


Parts Included:



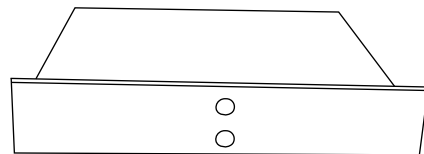
x2

Screws



x4

Base Connectors



Plate

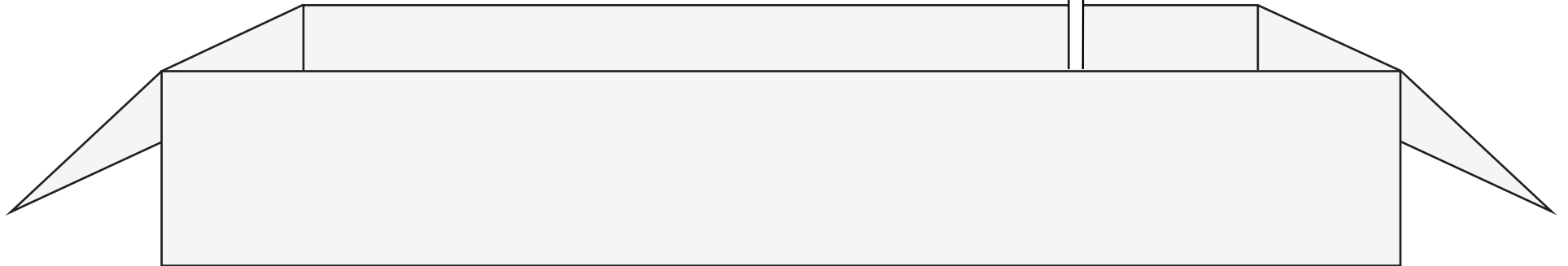
Universal Dispenser
Mounting Plate



Tools
Required:



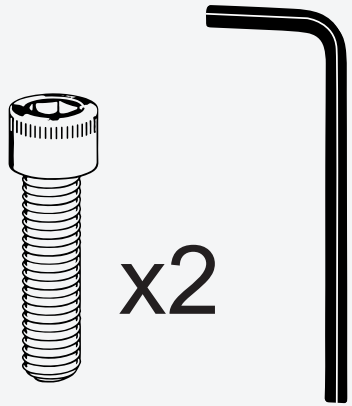
3/16"
Allen Wrench



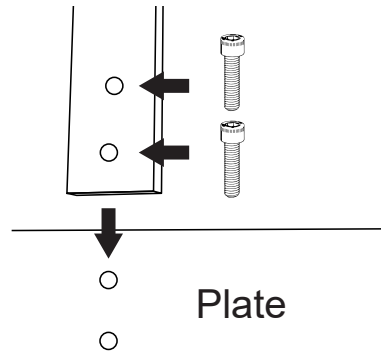
Parts Needed:

Step 1: Attach plate to pole

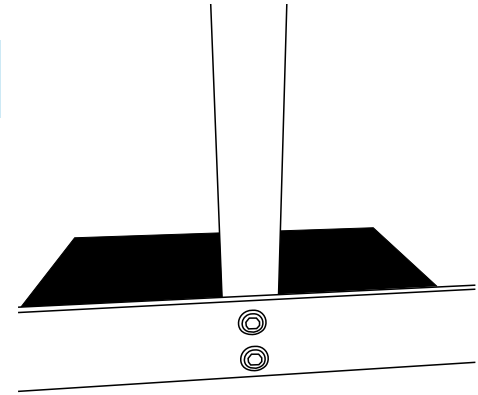
Align pole holes with plate holes. From the back of the plate screw in the screws with the included Allen Wrench. Firmly tighten them.



Universal Dispenser Mounting Plate



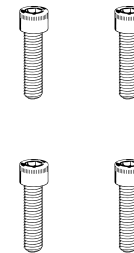
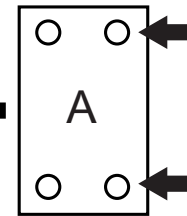
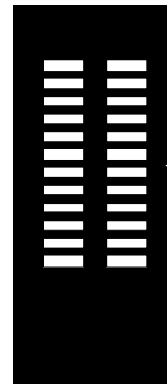
Need Allen Wrench



Step 2: Attach dispenser to mounting plate

Attach your Hand Sanitizer Dispenser (labeled A) to the universal mounting plate. Open the cover of your dispenser and identify 2 to 4 holes within the dispenser. Align the top of the dispenser with the top of the mounting plate.

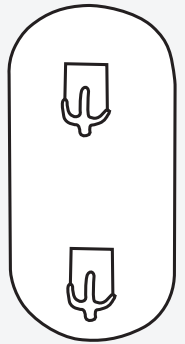
You can choose where to align your dispenser on the mounting plate



Screws not included

Universal Dispenser Mounting Plate

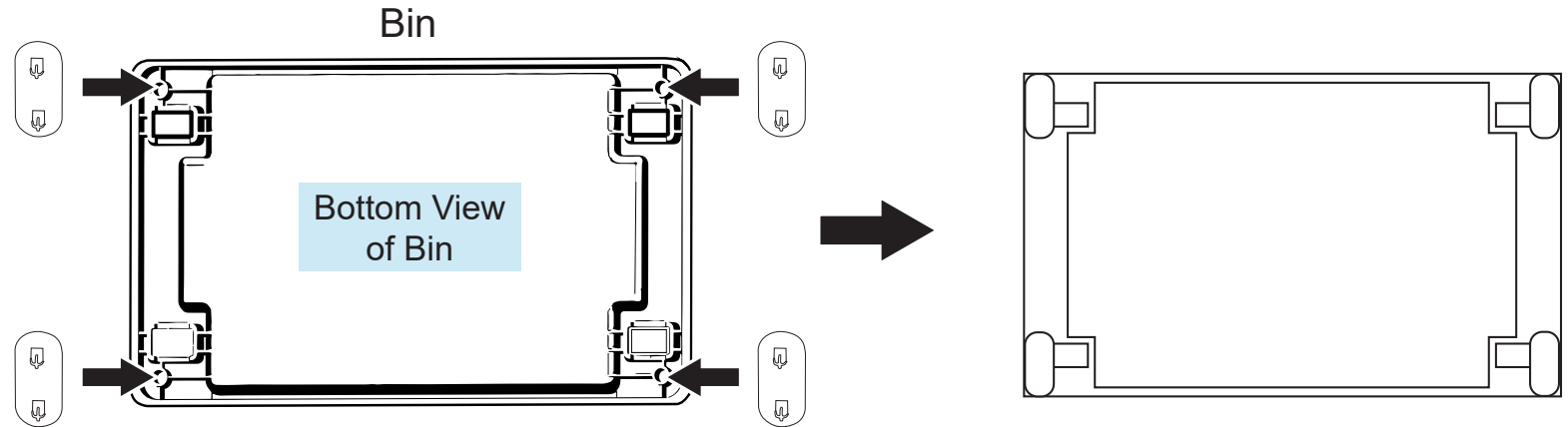
Parts Needed:



x4

Step 3: Attach base connectors

Attach a base connector to each corner of the bin. The instructions for how to put the connectors into place is included on the bag they came in.



Step 4: Attach bin to pins

Move the bin (areas labeled B) onto the pins (A). Push down gently. Make sure it is centered.

