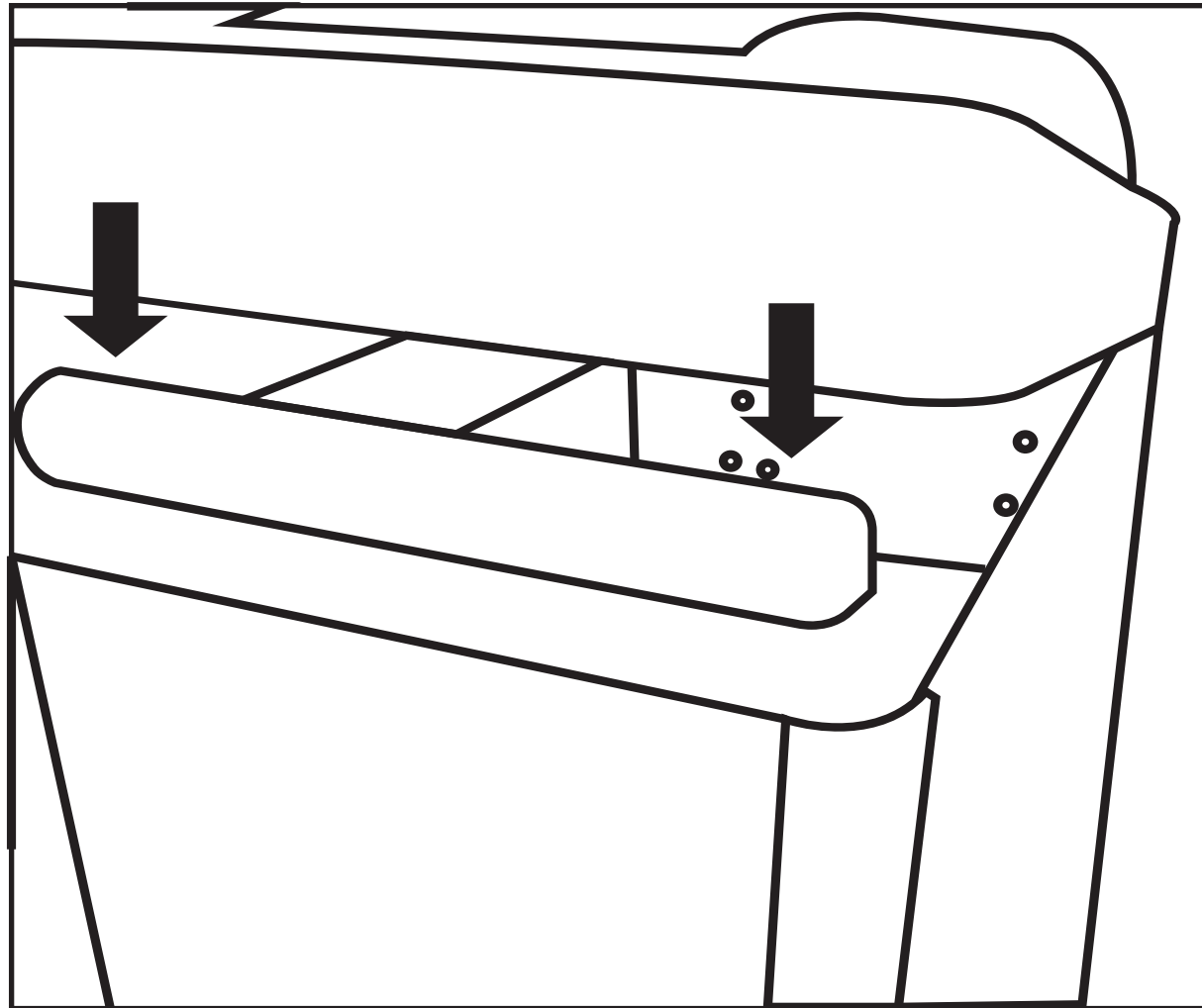
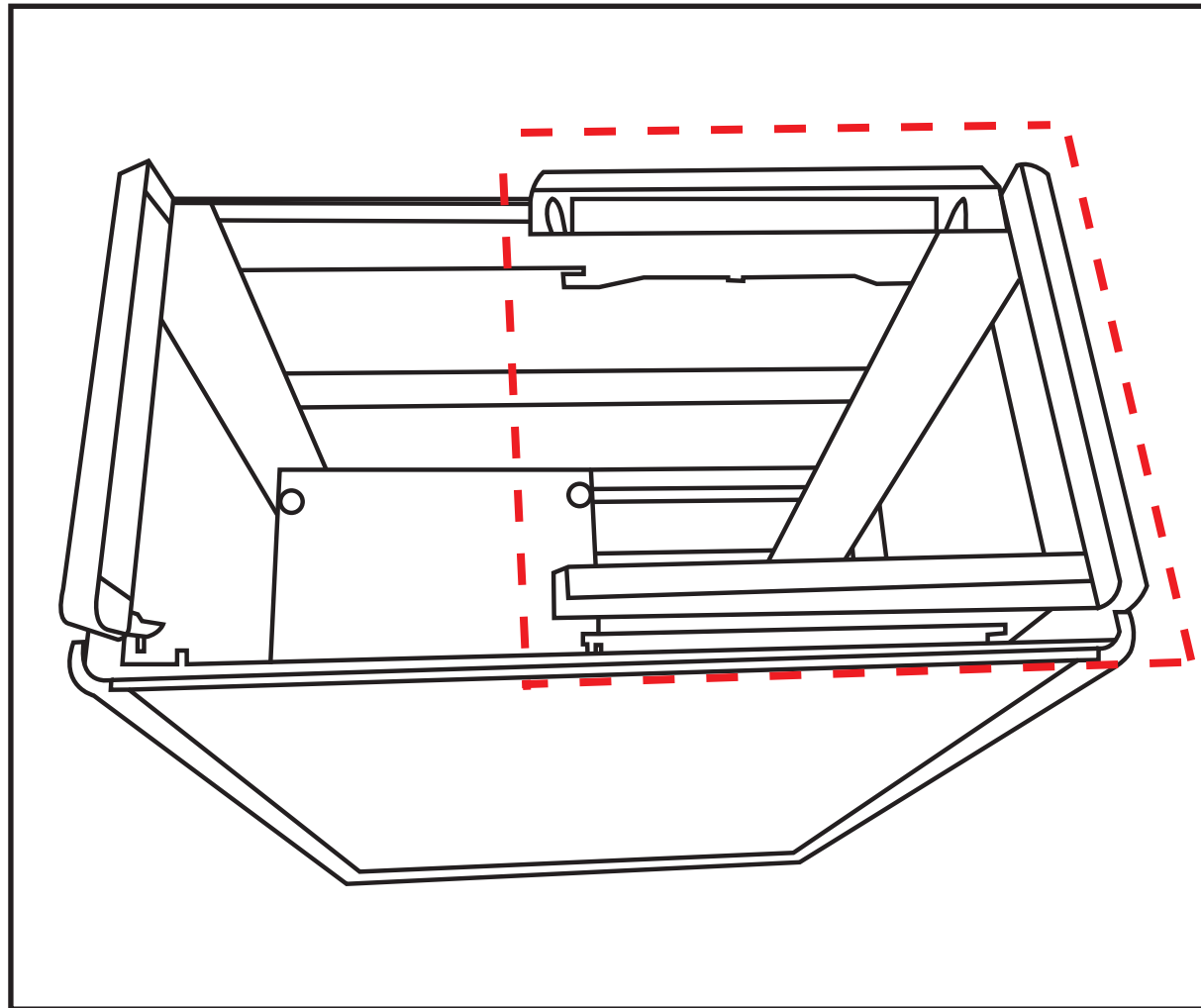


One-Wipe Instructions Ergocan

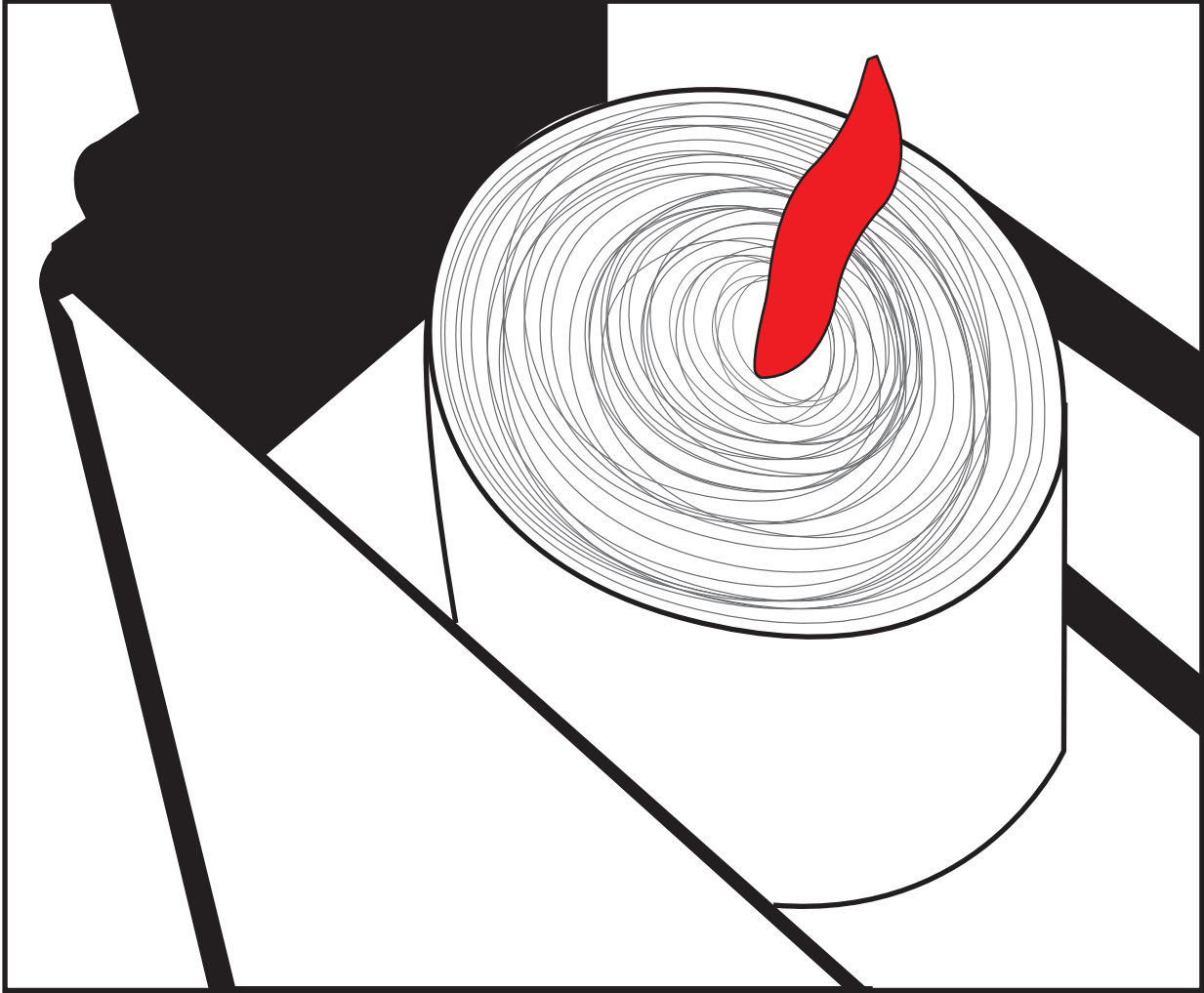
Press on lid until you feel/hear it snap onto the frame



Place trash bag over bag holder sides shown within the dotted lines.
Do not let trash bag drape outside bin over graphic display panels.
Bag Size Required: 17"W x 44"L



Roll holder shelf. Remove shelf for added storage below.



Feed towel/wipe through Adjustable Tension Regulator hole opening then adjust tension.

