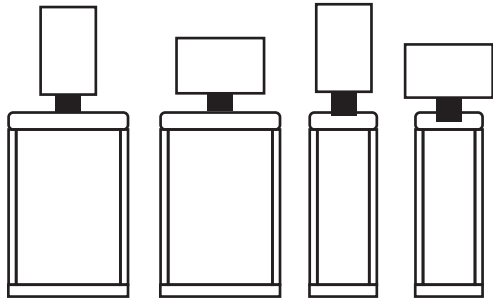


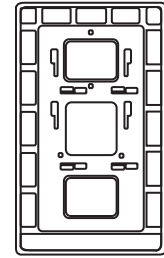
Utility Knife Required



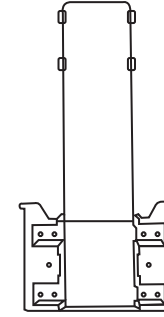
EC1119



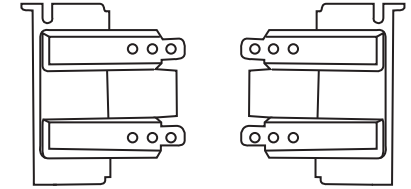
11 Fasteners



Sign Board Frame

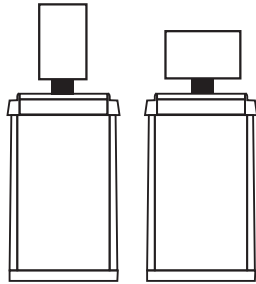


Riser

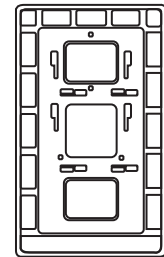


Short Bracket

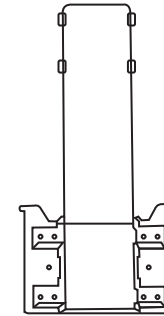
EC1818



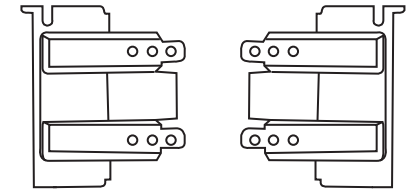
11 Fasteners



Sign Board Frame

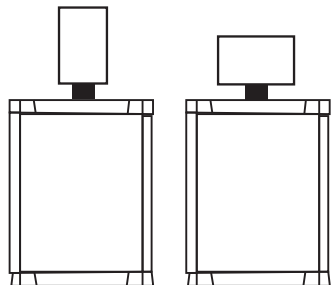


Riser

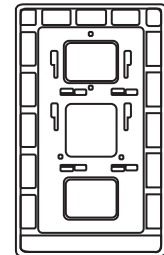


Short Bracket

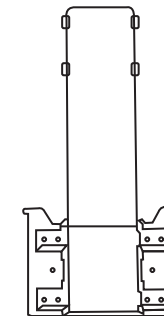
EC2626



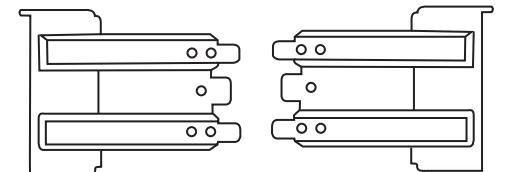
11 Fasteners



Sign Board Frame



Riser

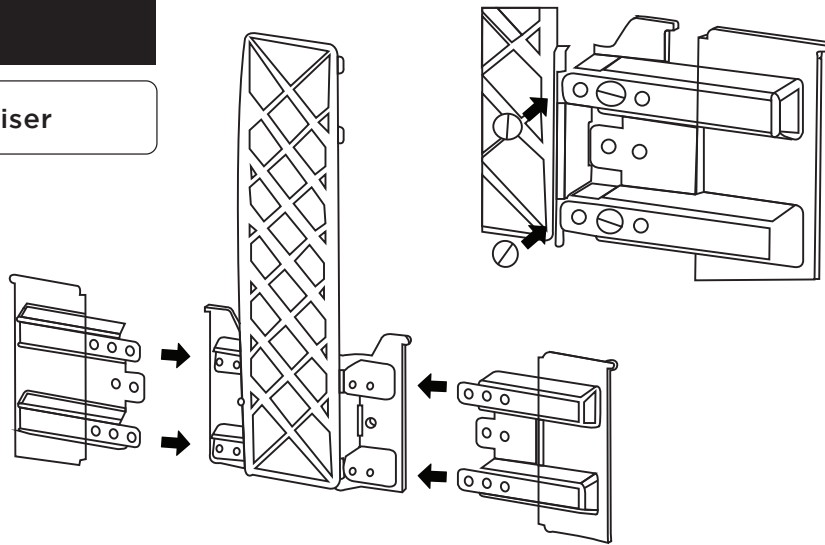


Long Bracket

# STEP 1

Install brackets on to riser

8 Fasteners



1. Slide the bracket over the riser holes

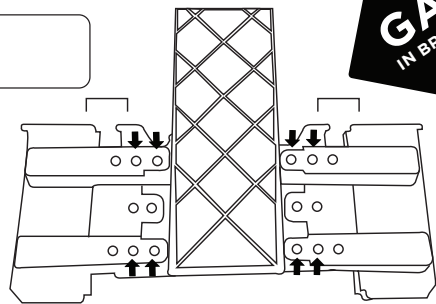
2. Snap brackets onto holes

3. Insert fasteners into holes

## EC1119 - Long Side

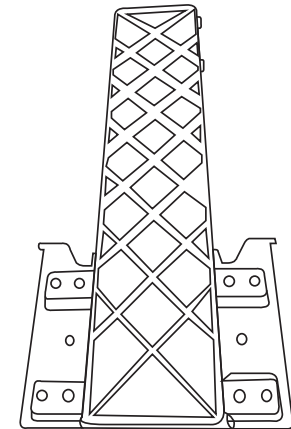
Use short brackets

8 Fasteners



## EC1119 - Short Side

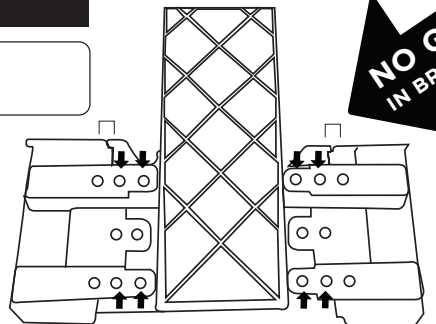
No brackets added



## EC1818

Use short brackets

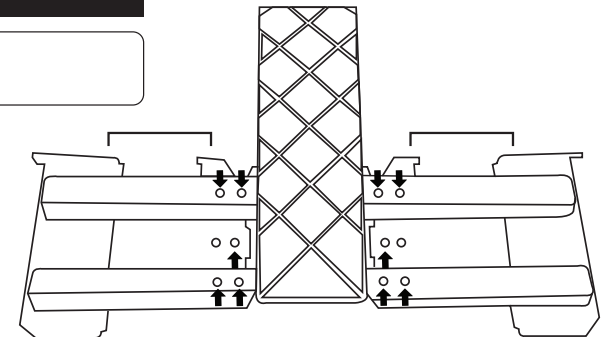
8 Fasteners



## EC2626

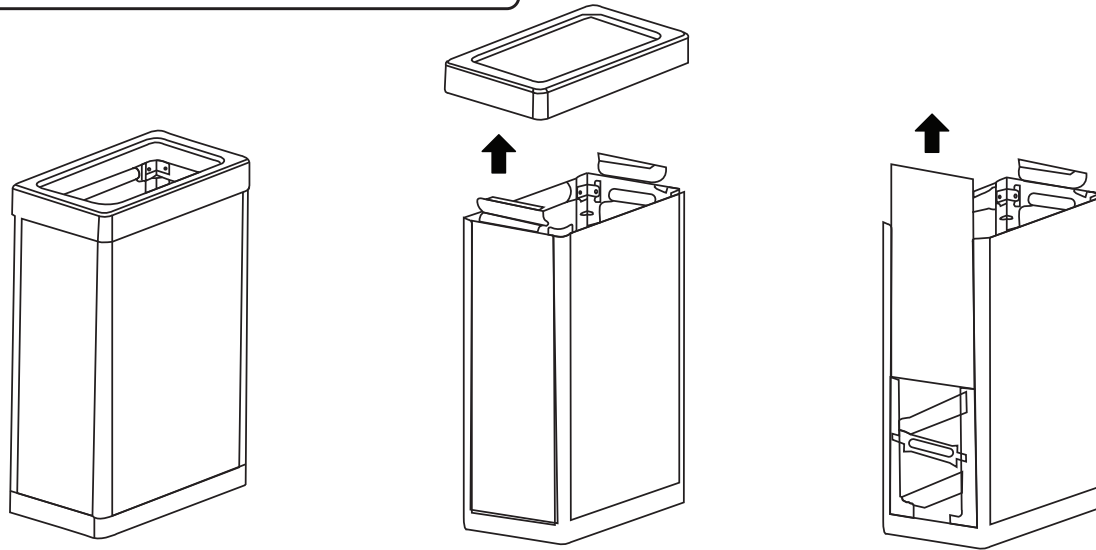
Use long brackets

8 Fasteners



## STEP 2

Insert assembled riser/bracket into bin



1. Remove Lid

2. Remove Panel

## CUT PANEL

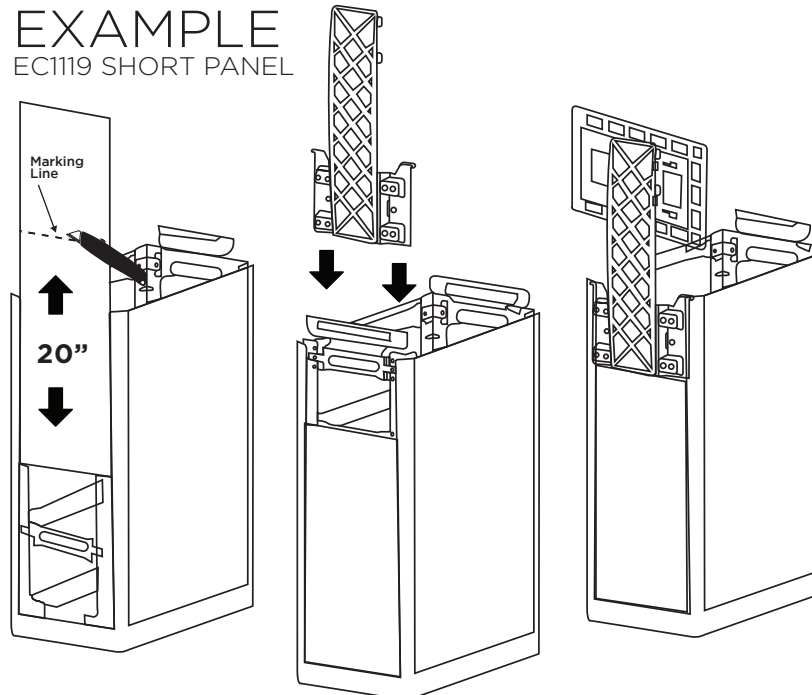
### PANEL CUT LIST

EC1119	SHORT PANEL	20"
EC1119	LONG PANEL	19"
EC1818		19"
EC2626		22 1/4"

1. Measure panel length, then mark a line with a pen on the panel.  
(See Panel Cut List above.)

2. Cut panel with utility knife along the line

### EXAMPLE EC1119 SHORT PANEL



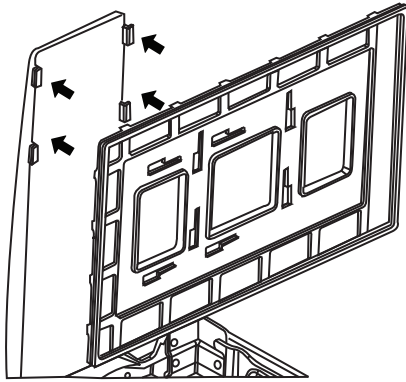
1. Slide cut panel into tracks

2. Slide riser/brackets into tracks

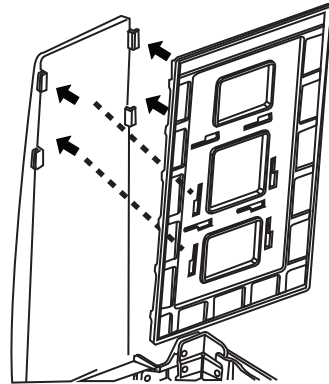
*note: apply even pressure so riser slides in straight/even*

### STEP 3

Attach the signboard frame by inserting signboard frame onto riser tabs shown by arrows through the slots on the signboard frame. Push frame down into the narrow part of the slot, thus locking it into place.



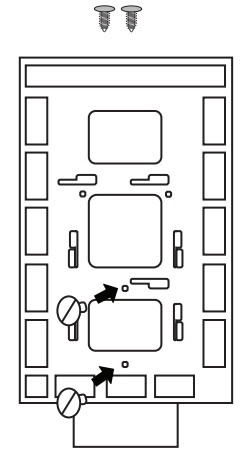
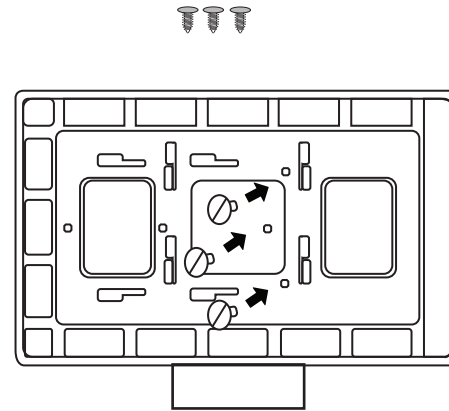
LANDSCAPE



PORTRAIT

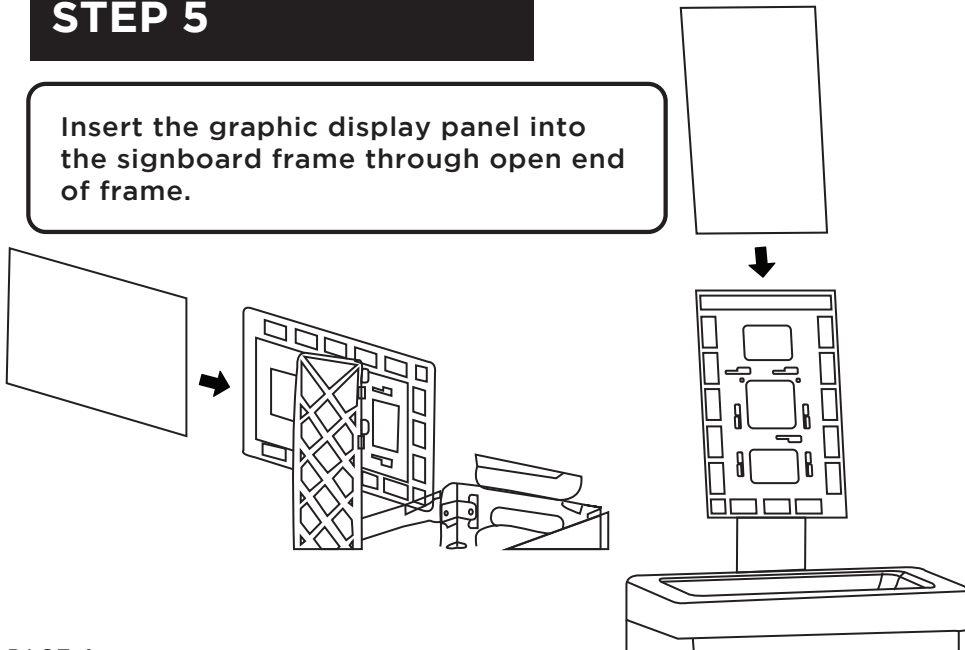
### STEP 4

Insert fasteners into holes

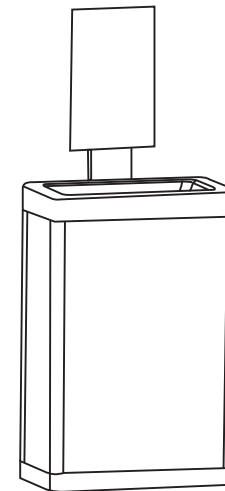


### STEP 5

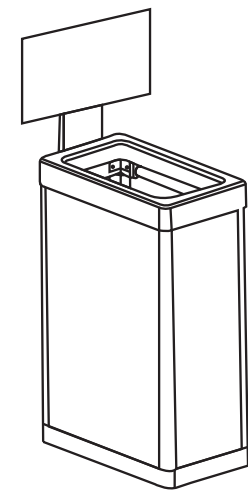
Insert the graphic display panel into the signboard frame through open end of frame.



### COMPLETED INSTALLATION



PORTRAIT



LANDSCAPE