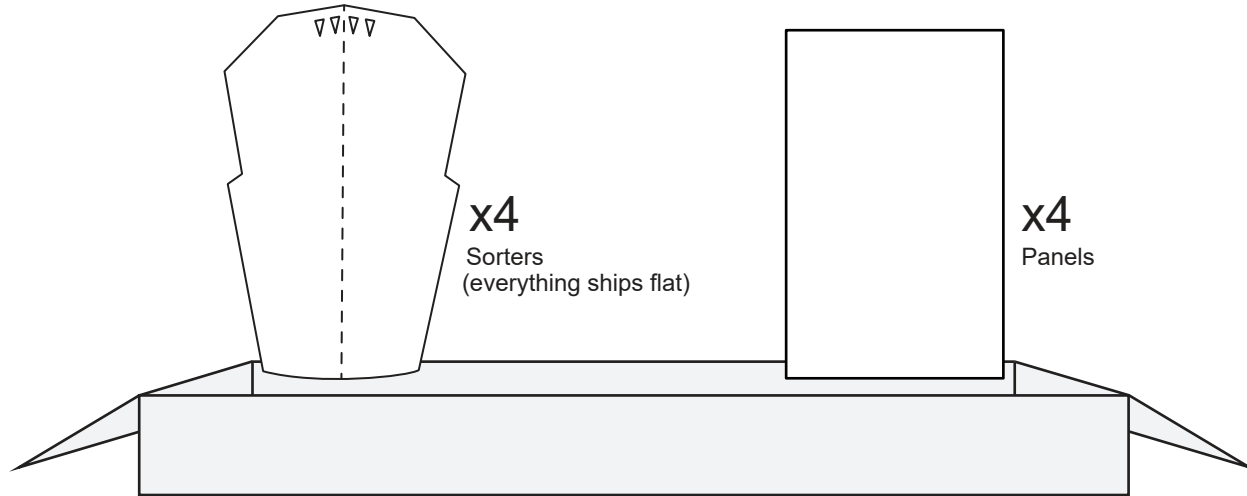
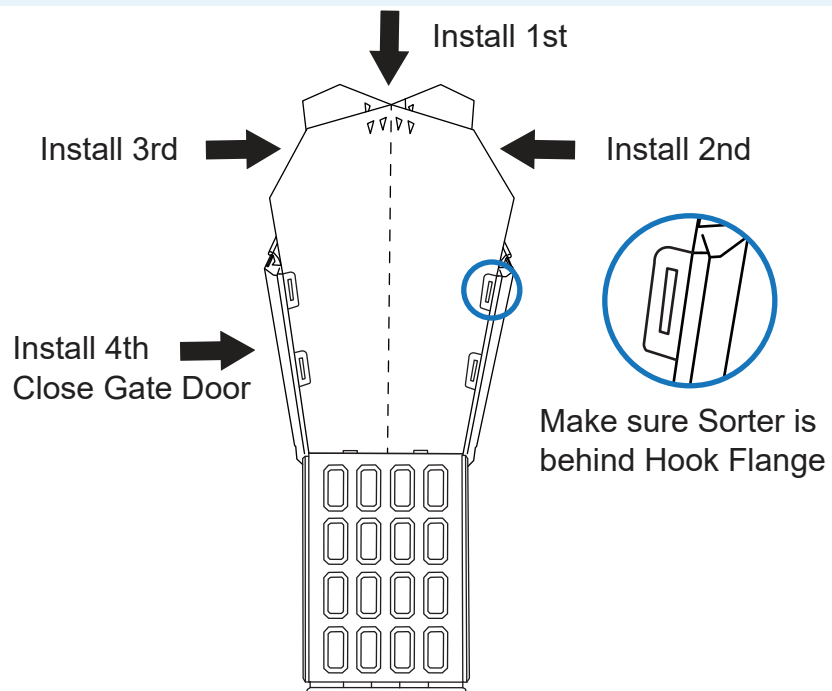


Assembly Instructions EC2626 Sorter

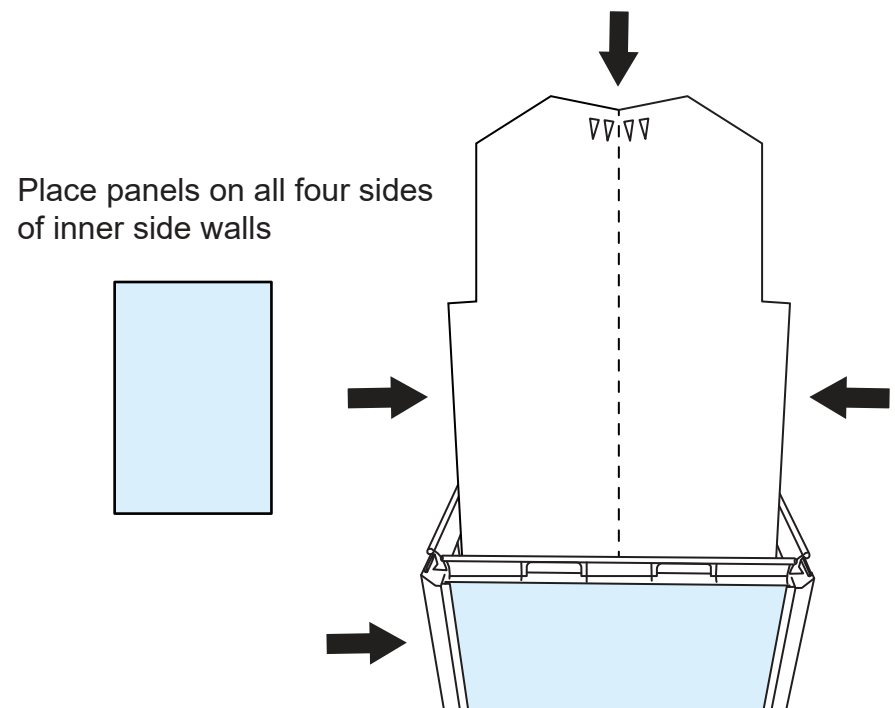
Parts Included:



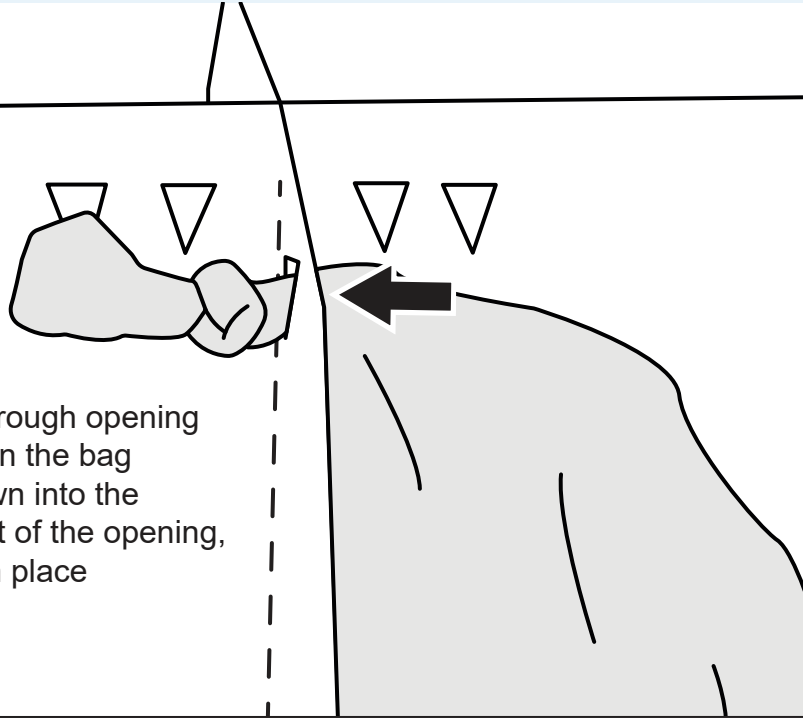
Step 1: Install Sorters



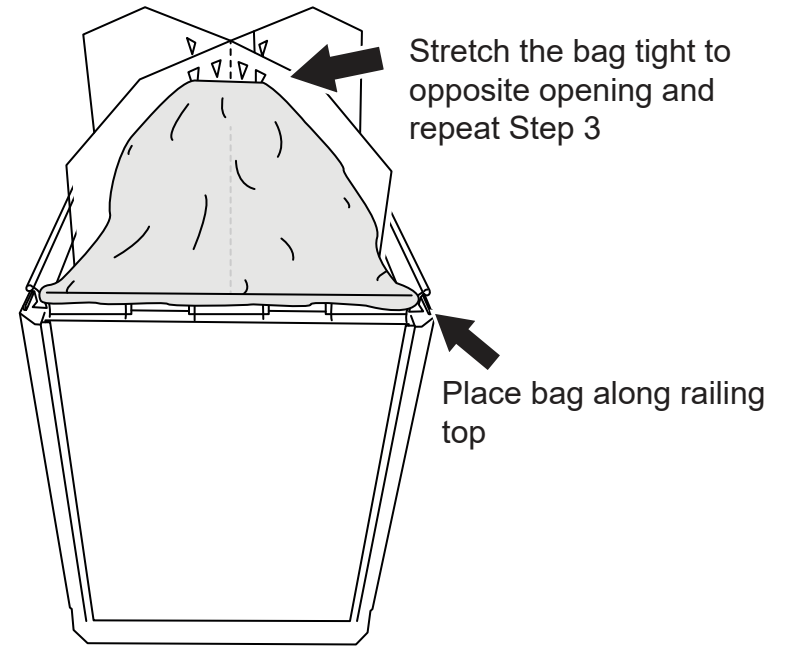
Step 2: Install Panels



Step 3:

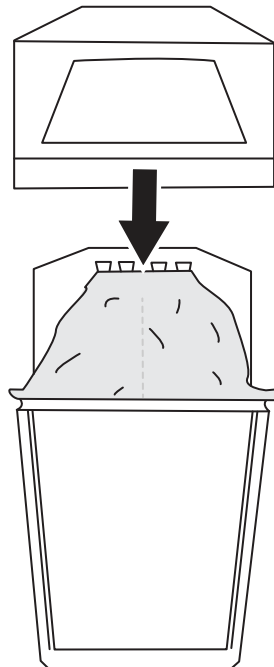


Step 4:



Step 5:

Place Dome Lid onto bin and then push down to snap it onto the rails



Step 6:

NOTE: Bag should not hang over the outside of the lid covering the graphic display panels. This will present a "neat appearance"

